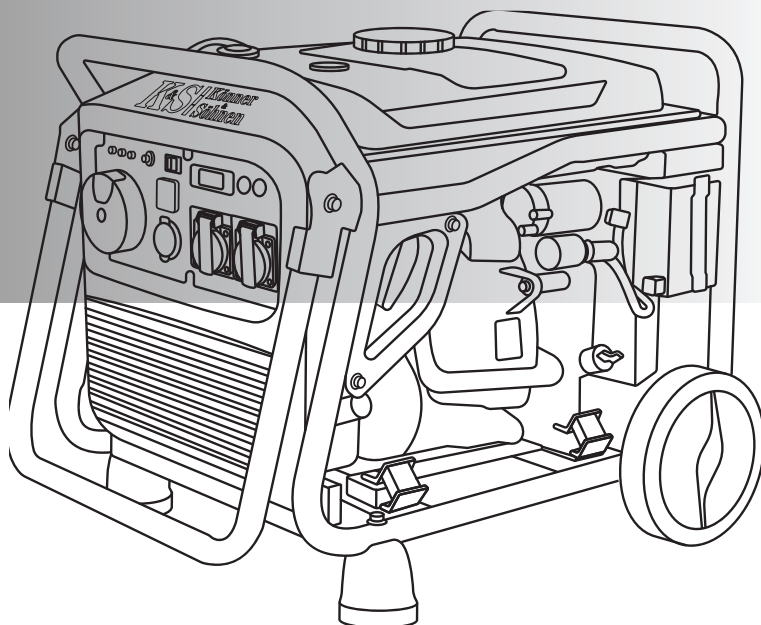


## INVERTER GENERATOR EXPLODED VIEW

KS 4100iE

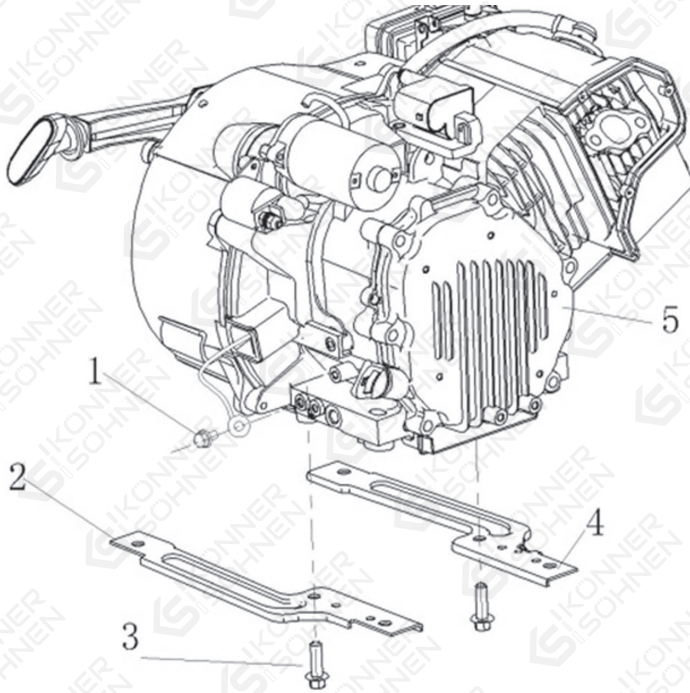


TRADITIONELLE DEUTSCHE QUALITÄT

# CONTENTS

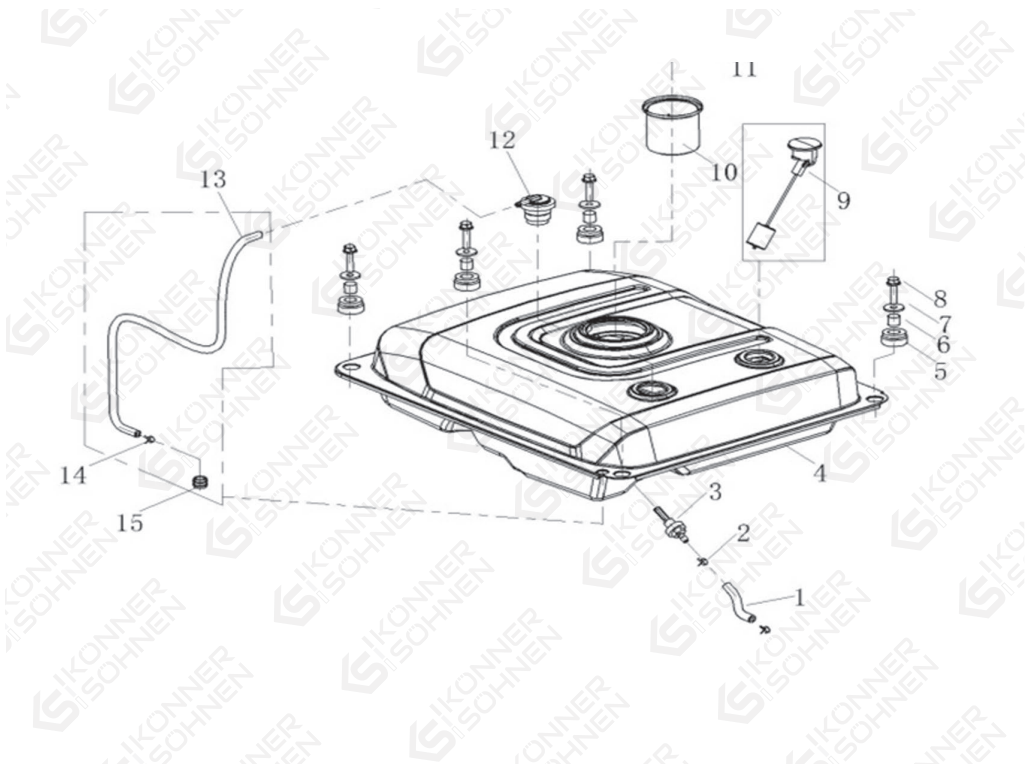
1.	Engine assy.....	2
2.	Parts of fuel tank.....	3
3.	Exhaust.....	5
4.	Battery.....	6
5.	Transport kit.....	7
6.	Frame assy.....	8
7.	Inverter.....	10
8.	Parts of panel.....	11
9.	Cylinder head.....	12
10.1.	Parts of Engine.....	14
10.2.	Parts of Engine.....	16
11.	Crankshaft/piston.....	17
12.	Camshaft/valve.....	19
13.	Parts of alternator.....	21
14.	Carburetor.....	23
15.	Air cleaner.....	24

# 1. ENGINE ASSY



No	REF. No	DESCRIPTION	QTY
1	KS 4100iE -1-01	Hexagon flange bolt	1
2	KS 4100iE-1-02	Engine fixing bracket	1
3	KS 4100iE-1-03	Hexagon flange bolt	1
4	KS 4100iE-1-04	Engine fixing bracket	1
5	KS 4100iE-1-05	H225iD engine	1

## 2. PARTS OF FUEL TANK

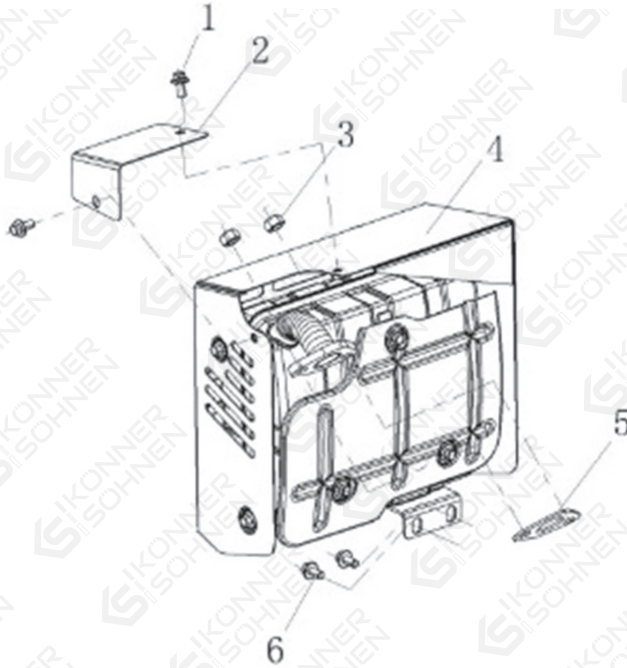


No	REF. No	DESCRIPTION	QTY
1	KS 4100iE-2-01	Fuel tube	1
2	KS 4100iE-2-02	Collar	3
3	KS 4100iE-2-03	Assy of fuel outlet nozzle	1
4	KS 4100iE-2-04	Tank assy	1
5	KS 4100iE-2-05	Fuel tank damping rubber pad	4



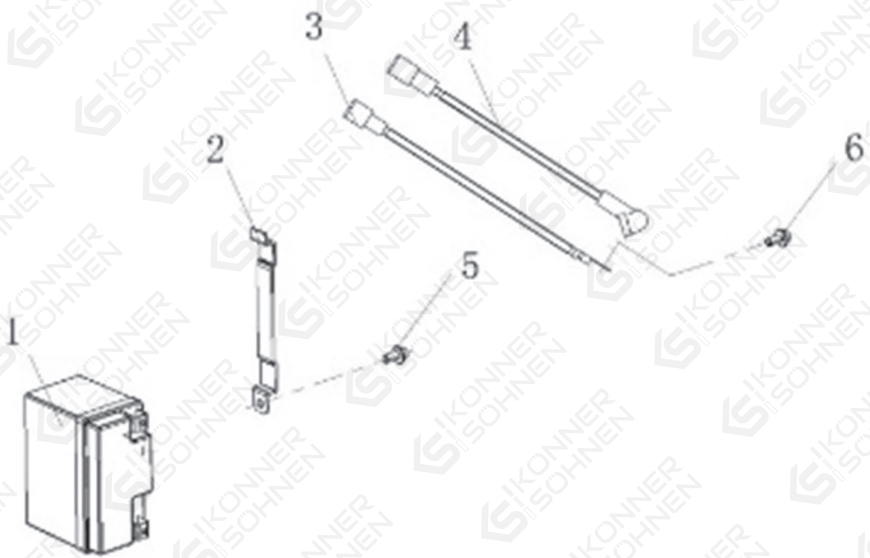
No	REF. No	DESCRIPTION	QTY
6	KS 4100iE -2-06	Busher	4
7	KS 4100iE-2-07	Tank gasket	4
8	KS 4100iE-2-08	Hexagon flange bolt	4
9	KS 4100iE-2-09	Fuel dipstick assy	1
10	KS 4100iE-2-10	Fuel filter screen assy	1
11	KS 4100iE-2-11	Tank cap assy	1
12	KS 4100iE-2-12	Dump valve assy	1
13	KS 4100iE-2-13	Fuel vapor rubber pipe	1
14	KS 4100iE-2-14	Collar	1
15	KS 4100iE-2-15	Fuel tube sleeve	1

### 3. EXHAUST



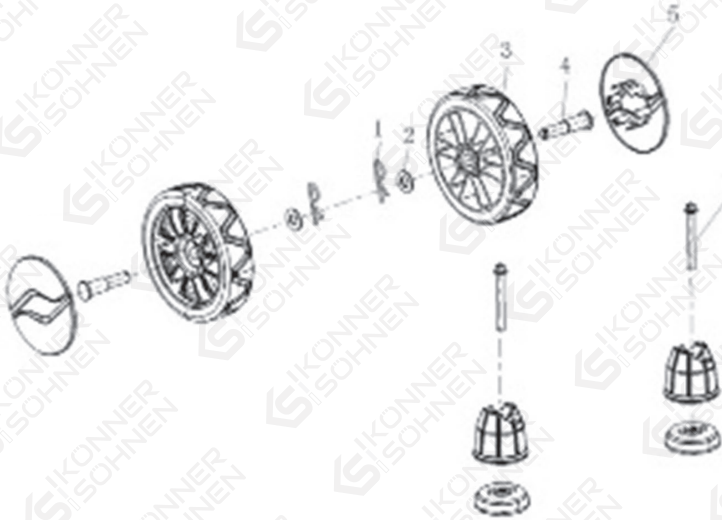
No	REF. No	DESCRIPTION	QTY
1	KS 4100iE -3-01	Hexagon flange bolt	2
2	KS 4100iE-3-02	Muffler shroud	1
3	KS 4100iE-3-03	Type 1 hex nut	2
4	KS 4100iE-3-04	Muffler assy	1
5	KS 4100iE-3-05	Exhaust gasket	1
6	KS 4100iE-3-06	Hexagon flange bolt	2

## 4. BATTERY



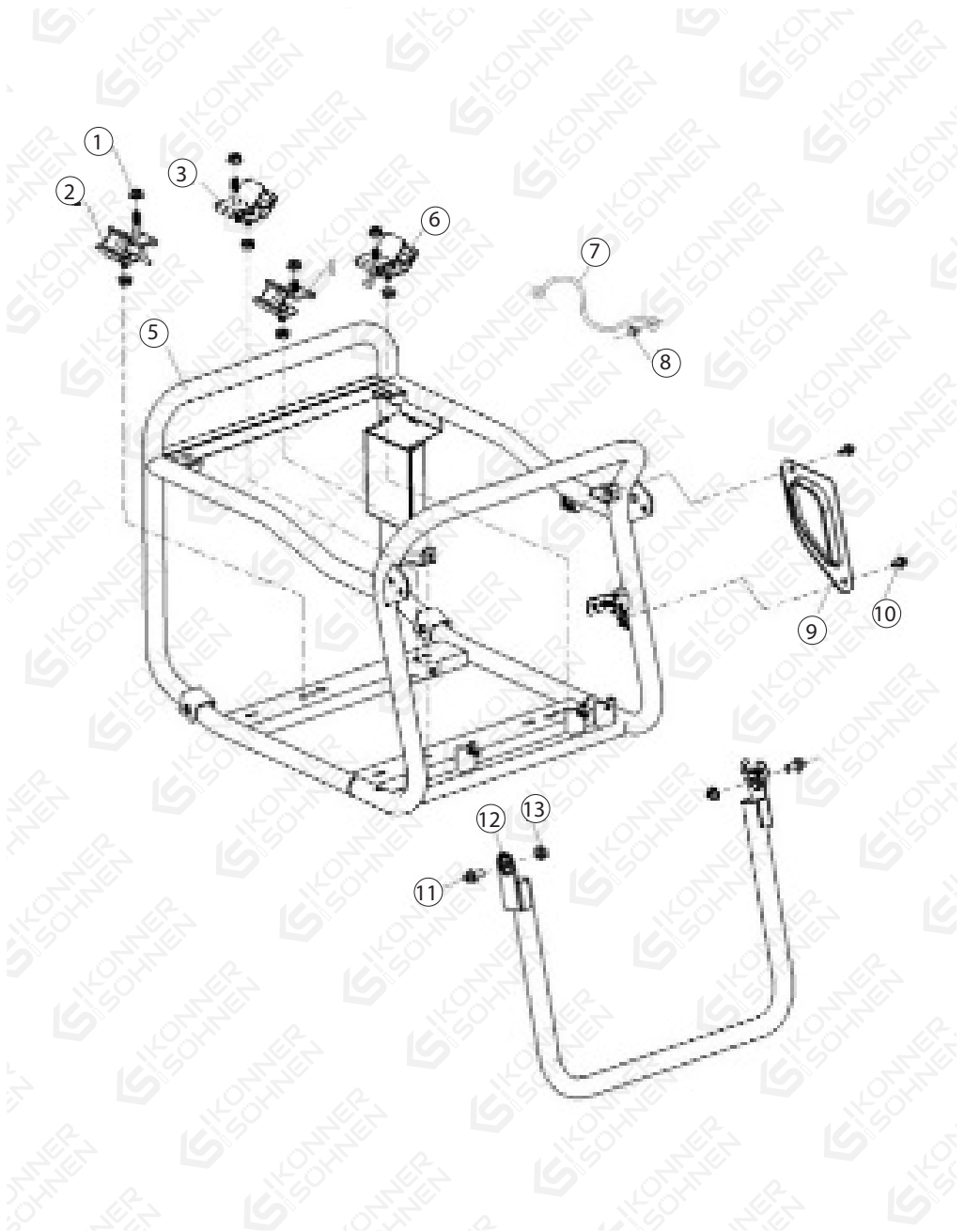
No	REF. No	DESCRIPTION	QTY
1	KS 4100iE -4-01	Battery assy	1
2	KS 4100iE-4-02	Battery pressplate	1
3	KS 4100iE-4-03	Positive wire assy	1
4	KS 4100iE-4-04	Negative wire assy	1
5	KS 4100iE-4-05	Hexagon flange bolt	1
6	KS 4100iE-4-06	Hexagon flange bolt	1

## 5. TRANSPORT KIT



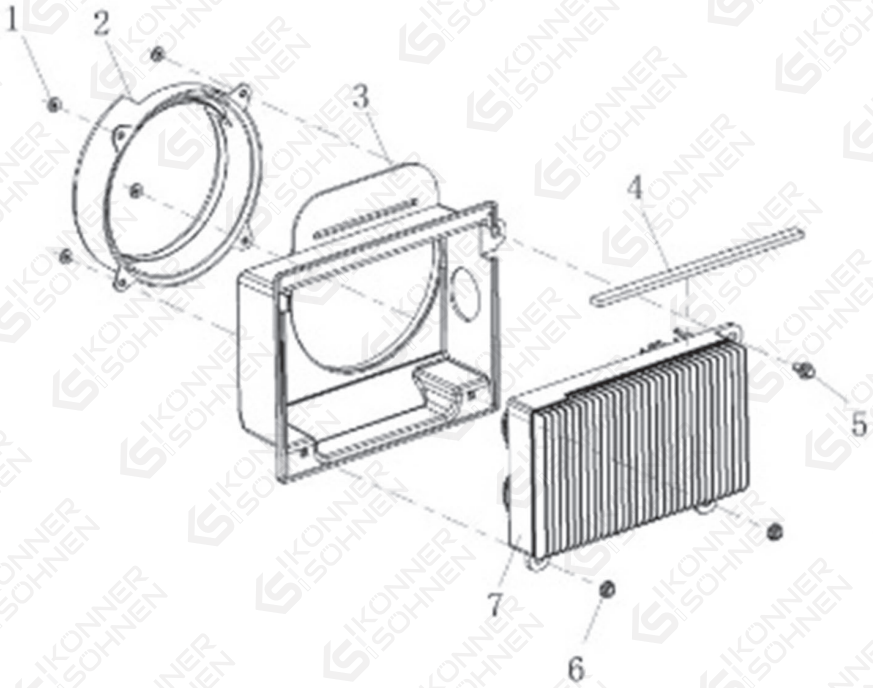
No	REF. No	DESCRIPTION	QTY
1	KS 4100iE -5-01	R-pin	2
2	KS 4100iE-5-02	Flat gasket - class C	2
3	KS 4100iE-5-03	Wheel assy	2
4	KS 4100iE-5-04	Axle assy	2
5	KS 4100iE-5-05	Decorative board	2
6	KS 4100iE-5-06	Hexagon flange bolt	2
7	KS 4100iE-5-07	Bracket of frame damping seat	2
8	KS 4100iE-5-08	Frame damping seat assy	2

# 6. FRAME ASSY



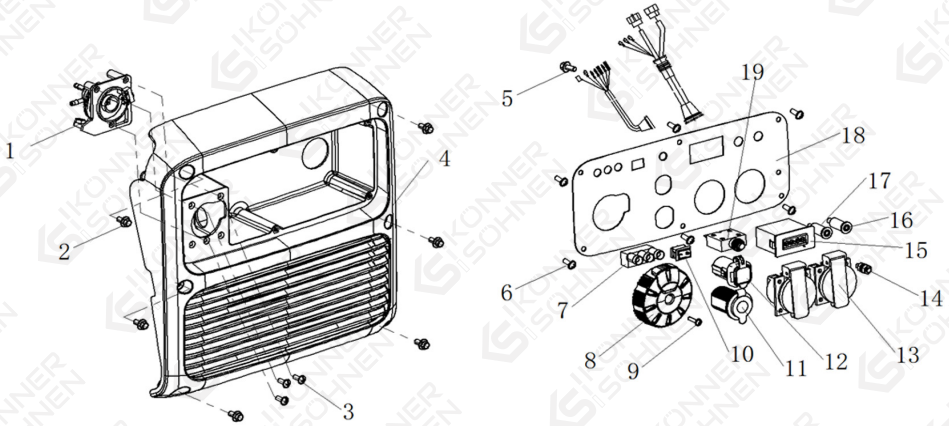
No	REF. No	DESCRIPTION	QTY
1	KS 4100iE -6-01	Hexagon flange nuts	8
2	KS 4100iE-6-02	Left damping pad assy	1
3	KS 4100iE-6-03	Right damping pad assy	1
4	KS 4100iE-6-04	Left damping pad assy	1
5	KS 4100iE-6-05	Frame assy	1
6	KS 4100iE-6-06	Right damping pad assy	1
7	KS 4100iE-6-07	cable	1
8	KS 4100iE-6-08	Hexagon flange bolt	1
9	KS 4100iE-6-19	Handle decorative board	1
10	KS 4100iE-6-20	Hexagon flange bolt	2
11	KS 4100iE-6-21	Hexagon flange bolt	2
12	KS 4100iE-6-22	Handle tube assy	1
13	KS 4100iE-6-23	Nylon hexagon lock nut	2

# 7. INVERTER



No	REF. No	DESCRIPTION	QTY
1	KS 4100iE -7-01	Bearing clamp ring	1
2	KS 4100iE -7-02	Fastening sleeve	1
3	KS 4100iE -7-03	Lower shield assembly	1
4	KS 4100iE -7-04	Silencing cotton	1
5	KS 4100iE -7-05	Hexagon flange bolt	1
6	KS 4100iE -7-06	Hexagon flange nuts	2
7	KS 4100iE -7-07	Inverter assy	1

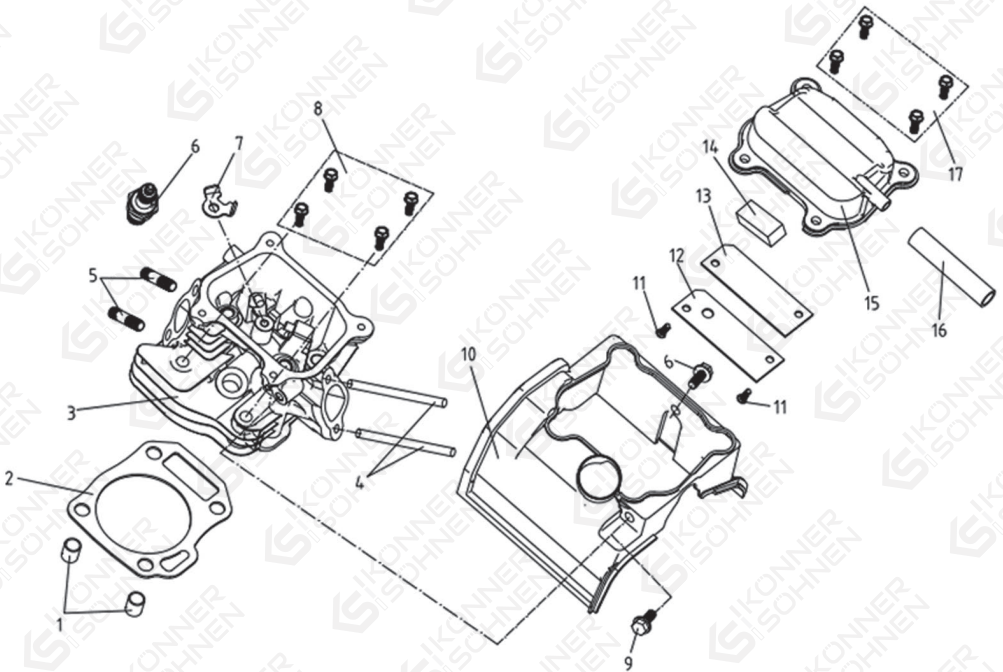
# 8. PARTS OF PANEL



No	REF. No	DESCRIPTION	QTY
1	KS 4100iE -8-01	Starting switch assy	1
2	KS 4100iE-8-02	Hexagon flange bolt	6
3	KS 4100iE-8-03	Cross tapping screw	3
4	KS 4100iE-8-04	Panel base assy	1
5	KS 4100iE-8-05	Hexagon flange bolt	1
6	KS 4100iE-8-06	Cross recessed pan head screw	6
'7-19	KS 4100iE-8-'7-19	Control panel assy	1



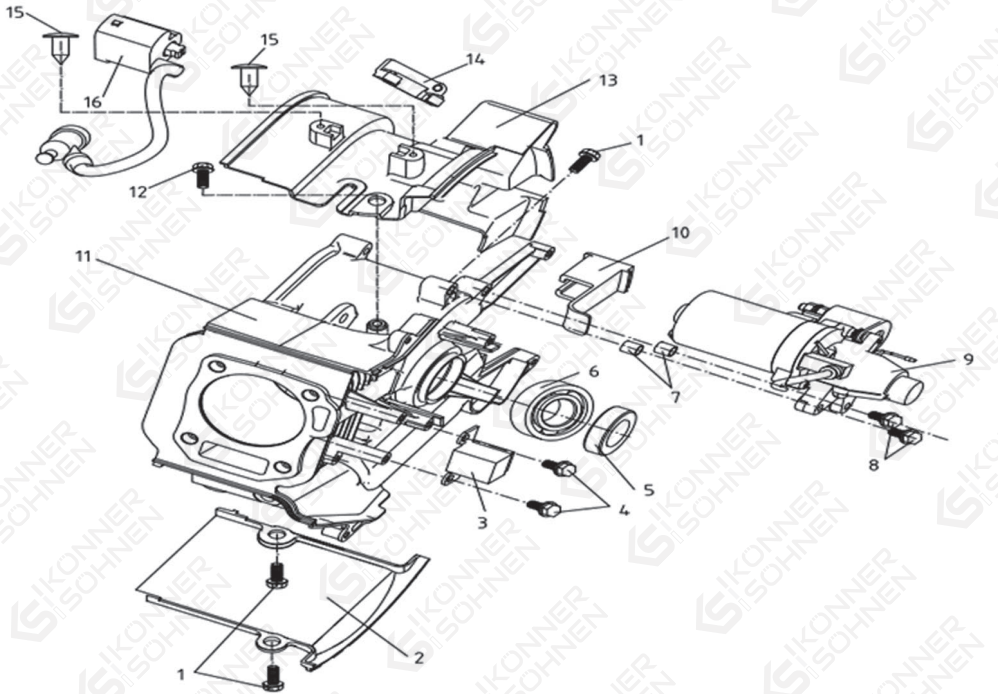
# 9. CYLINDER HEAD



No	REF. No	DESCRIPTION	QTY
1	KS 4100iE -9-01	Pin , Dowel	2
2	KS 4100iE -9-02	Cylinder Head Sealing Pad Combination	1
3	KS 4100iE -9-03	Cylinder Head Combination	1
4	KS 4100iE -9-04	Air Intake Double-headed Bolts	2
5	KS 4100iE -9-05	Exhaust Double Headed Bolt	2

No	REF. No	DESCRIPTION	QTY
6	KS 4100iE -9-06	Plug , Spark	1
7	KS 4100iE-9-07	Rocker Shaft Baffle	1
8	KS 4100iE-9-08	Bolt,Cylinder Head	4
9	KS 4100iE-9-09	Bolt , Flange , 6×16	2
10	KS 4100iE-9-10	Cylinder Head Cowl	1
11	KS 4100iE-9-11	Bolt , Flange	2
12	KS 4100iE-9-12	Breath Cover Plate	1
13	KS 4100iE-9-13	Air Groove Cover Plate Gas- ket	1
14	KS 4100iE-9-14	The Oil Filter	1
15	KS 4100iE-9-15	Cover Comp Head	1
16	KS 4100iE-9-16	Waste Trachea	1
17	KS 4100iE-9-17	Bolt , Flange , 6×20	4

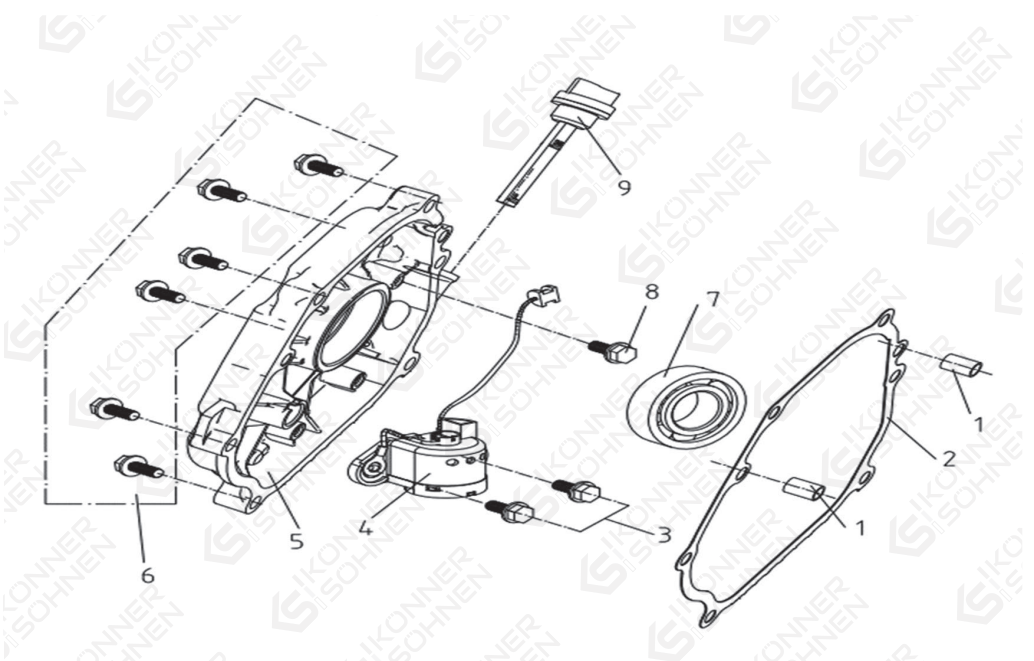
# 10.1 PARTS OF ENGINE



No	REF. No	DESCRIPTION	QTY
1	KS 4100iE -10.1-01	Bolt , Flange , 6x10	3
2	KS 4100iE -10.1-02	Air Deflector, Box	1
3	KS 4100iE -10.1-03	Trigger Combination	1
4	KS 4100iE -10.1-04	Bolt , Flange , 6x12	2
5	KS 4100iE -10.1-05	Oil Seal	1

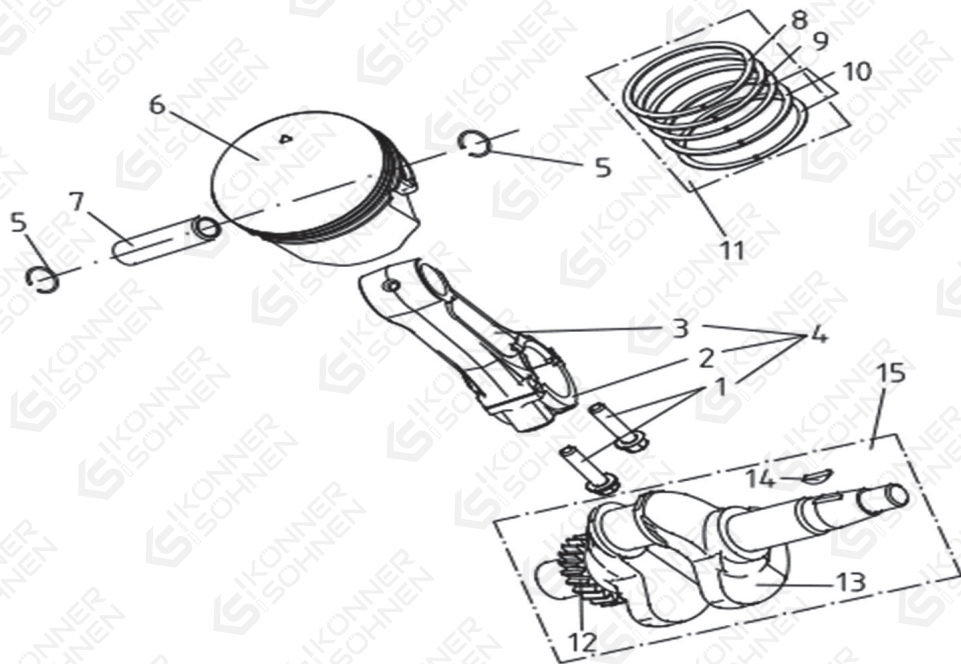
No	REF. No	DESCRIPTION	QTY
6	KS 4100iE -10.1-06	Bearing , Radlal Ball	1
7	KS 4100iE-10.1-07	Pin , Dowel	2
8	KS 4100iE-10.1-08	Bolt , Flange , 6×25	2
9	KS 4100iE-10.1-09	Starter Motor	1
10	KS 4100iE-10.1-10	Motor Outlet Baffle	1
11	KS 4100iE-10.1-11	Crankshaft Box Body Combination	1
12	KS 4100iE-10.1-12	Bolt , Flange , 6×10	1
12-2	KS 4100iE-10.1-12-2	Bolt , Flange , 6×30	1
13	KS 4100iE-10.1-13	Air Deflector, Box	1
14	KS 4100iE-10.1-14	Installation Bracket For Igniter	1
15	KS 4100iE-10.1-15	Tapping Screw	2
16	KS 4100iE-10.1-16	Firewire Ring Parts	1

## 10.2 PARTS OF ENGINE



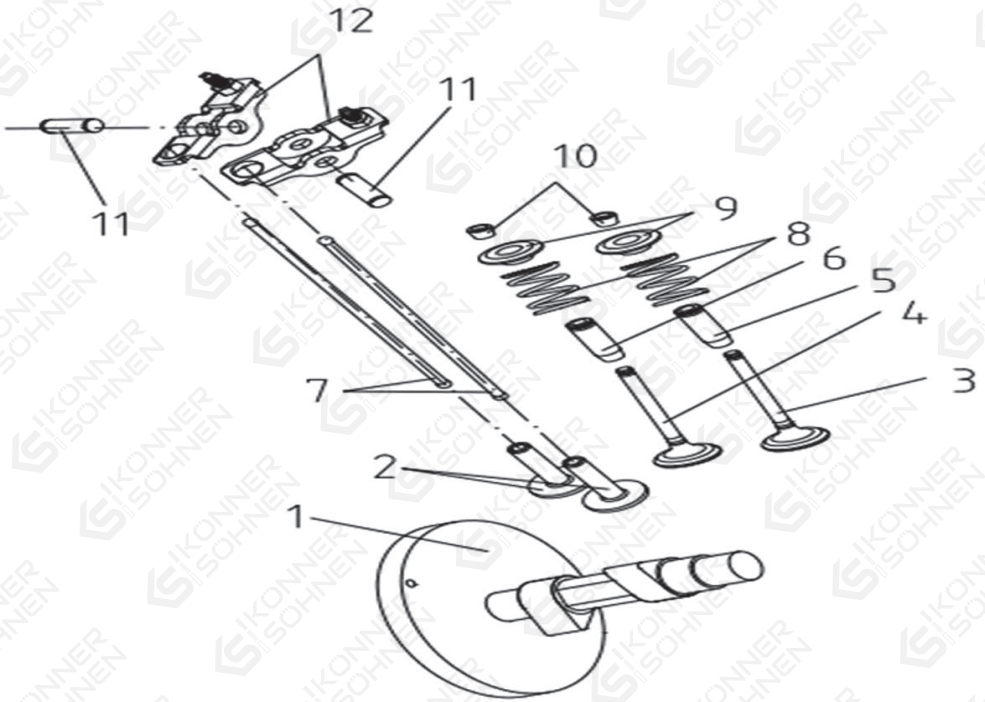
No	REF. No	DESCRIPTION	QTY
1	KS 4100iE-10.2-01	Pin , Dowel	2
2	KS 4100iE-10.2-02	Crankcase Sealing Pad	1
3	KS 4100iE-10.2-03	Bolt , Flange , 6×16	2
4	KS 4100iE-10.2-04	Oil Sensor	1
5	KS 4100iE-10.2-05	Crankcase Cover	1
6	KS 4100iE-10.2-06	Bolt , Flange , 8×32	6
7	KS 4100iE-10.2-07	Bearing , Radlal Ball	1
8	KS 4100iE-10.2-08	Bolt , Flange , 6×10	1
9	KS 4100iE-10.2-19	Oil Ruler Combination	1

# 11. CRANKSHAFT/PISTON



No	REF. No	DESCRIPTION	QTY
1	KS 4100iE -11-01	Connecting Rod Bolt	2
2	KS 4100iE-11-02	Cap Conrod	1
3	KS 4100iE-11-03	Rod, Connecting	1
4	KS 4100iE-11-04	Connecting Rod	1
5	KS 4100iE-11-05	Clip Piston Pin	2
6	KS 4100iE-11-06	Piston	1
7	KS 4100iE-11-07	Pin Wrist	1
8	KS 4100iE-11-08	Ring Top	1
9	KS 4100iE-11-09	Ring Compression	1
10	KS 4100iE-11-10	Ring Assy, Oil	1
11	KS 4100iE-11-11	Piston Ring	1
12	KS 4100iE-11-12	Gear, Timing	1
13	KS 4100iE-11-13	Crankshaft	1
14	KS 4100iE-11-14	Key	1
15	KS 4100iE-11-15	Crankshaft Combination	1

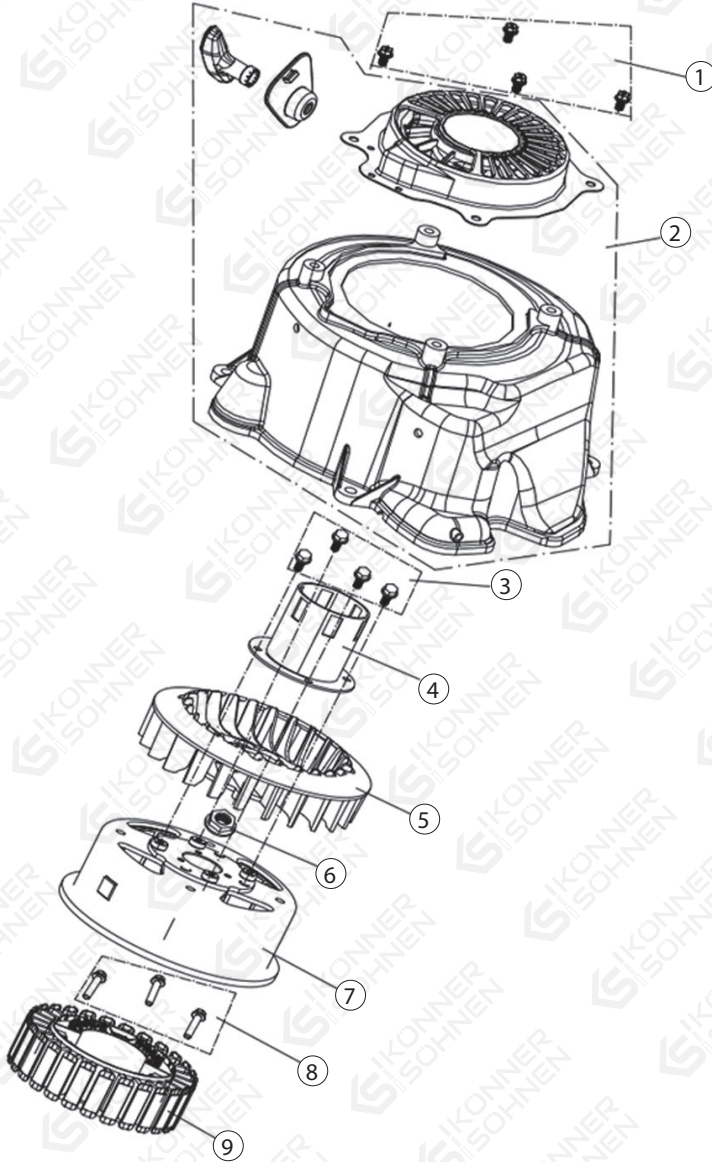
# 12. CAMSHAFT/VALVE





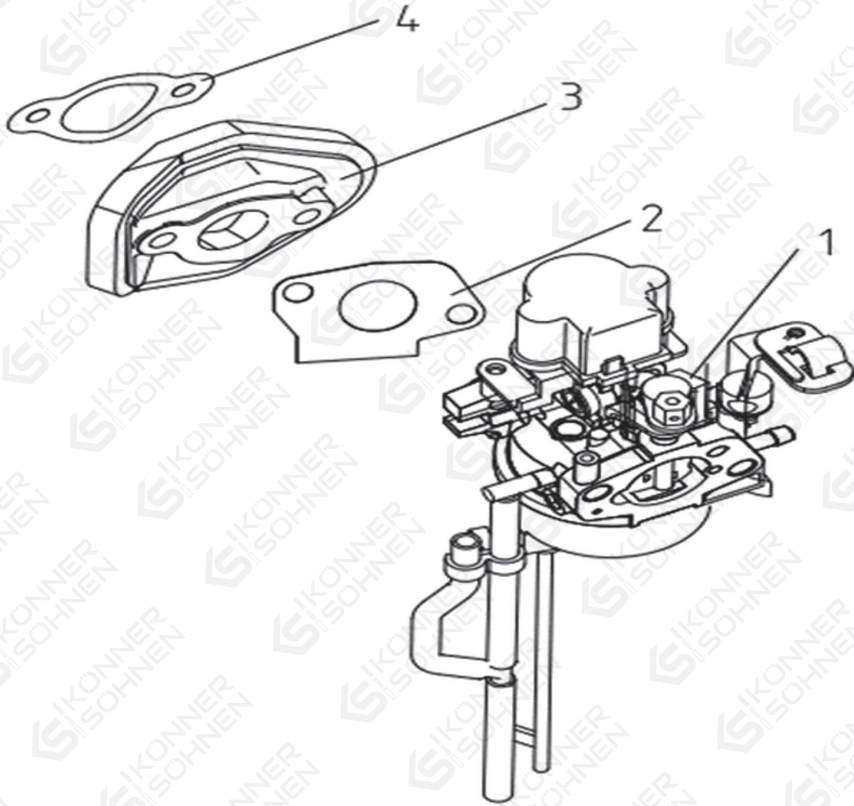
No	REF. No	DESCRIPTION	QTY
1	KS 4100iE -12-01	Camshaft Assy.	1
2	KS 4100iE-12-02	Tappet, Valve	2
3	KS 4100iE-12-03	Exhaust Valve	1
4	KS 4100iE-12-04	Valve Intake	1
5	KS 4100iE-12-05	Intake Valve Guide	1
6	KS 4100iE-12-06	Exhaust Duct	1
7	KS 4100iE-12-07	Push Rod	2
8	KS 4100iE-12-08	Valve Spring	2
9	KS 4100iE-12-09	Seat Valve	2
10	KS 4100iE-12-10	Valve Key	4
11	KS 4100iE-12-11	Valve Rocker Arm Shaft	2
12	KS 4100iE-12-12	Rocker Arm,Assy	2

# 13. PARTS OF ALTERNATOR



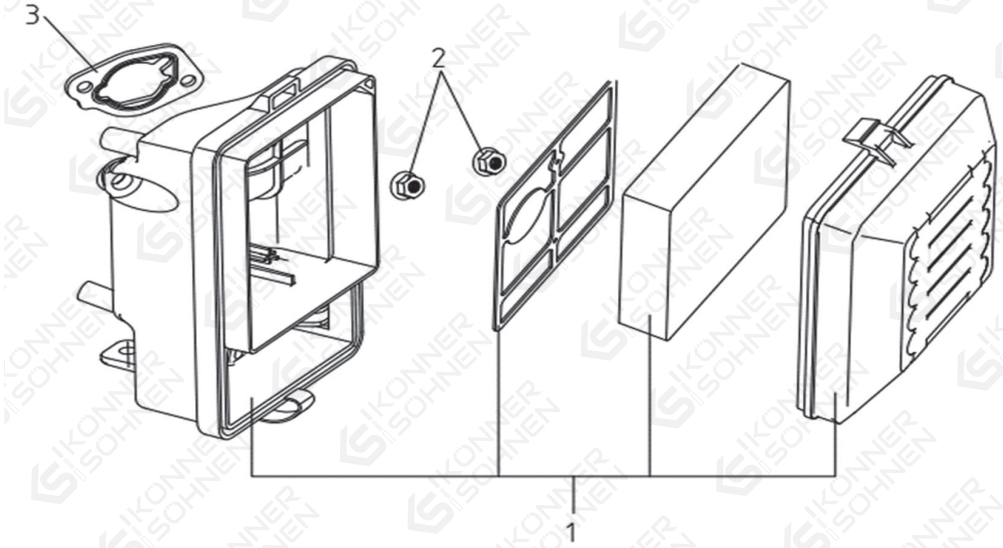
No	REF. No	DESCRIPTION	QTY
1	KS 4100iE -13-01	Bolt , Flange 6×14	4
2	KS 4100iE-13-02	Manual Starting Pull Plate Assembly	1
3	KS 4100iE-13-03	Bolt , Flange 6×16	4
4	KS 4100iE-13-04	Start Cup	1
5	KS 4100iE-13-05	Vane wheel	1
6	KS 4100iE-13-06	Nut, Flywheel	1
7	KS 4100iE-13-07	Motor Rotor	1
8	KS 4100iE-13-08	Bolt,Cylinder Head	3
9	KS 4100iE-13-09	Motor Stator	1

# 14. CARBURETOR



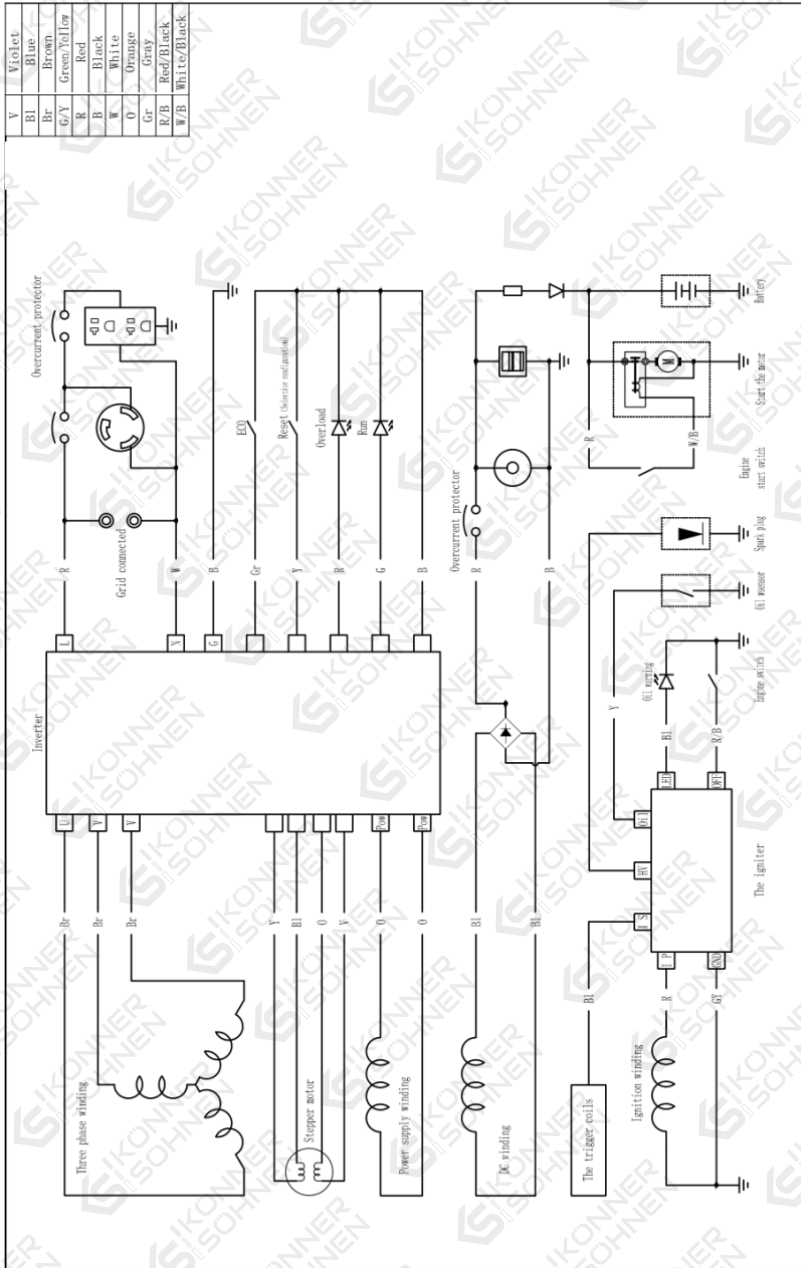
No	REF. No	DESCRIPTION	QTY
1	KS 4100iE -14-01	Carburetor	1
2	KS 4100iE-14-02	Carburetor Insulator Sealing Pad	1
3	KS 4100iE-14-03	Spacer, Carburetor	1
4	KS 4100iE-14-04	Air Intake Sealing Pad	1

# 15. AIR CLEANER



No	REF. No	DESCRIPTION	QTY
1	KS 4100iE -15-01	Air Cleaner	1
2	KS 4100iE-15-02	Hex Nut	2
3	KS 4100iE-15-03	Air Filter Gasket	1

# 16. ELECTRIC SCHEME



## **CONTACTS**

**konner-sohnen.com**

**Germany**

**info@dimaxgroup.de**

**Poland**

**info.pl@dimaxgroup.de**

**Ukraine**

**sales@ks-power.com.ua**